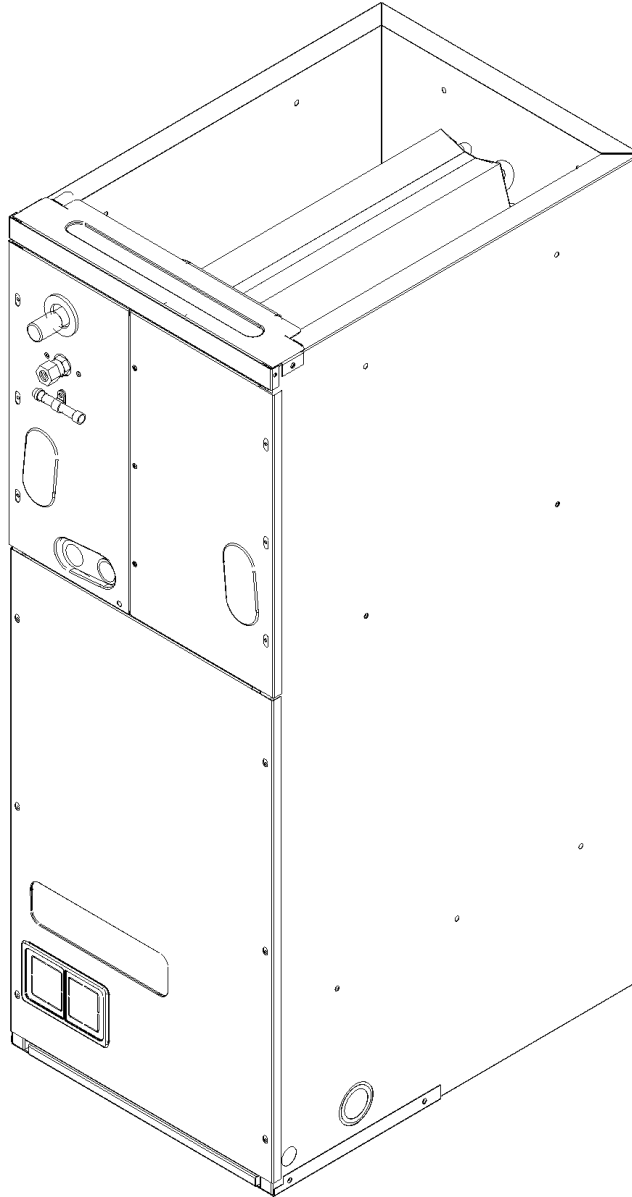


REPAIR PARTS

A**-00-2R* Air Handlers

A24-00-2RB
A24-00-2RC
A36-00-2RAA
A36-00-2RB
A36-00-2RC
A48-00-2RB
A48-00-2RC
A60-00-2RAA
A60-00-2RB
A60-00-2RC



This manual is to be used by qualified technicians only.

This manual replaces RP-473E.

© 2013 Goodman Manufacturing Company, L.P. ♦ 5151 San Felipe, Suite 500 ♦ Houston, TX 77056

Important Information

Index

Functional Parts List	3
Illustration and Parts	4 - 7

Views shown are for parts illustrations only, not servicing procedures.

Rev F: Addition of A(36/60)-00-2RC models with aluminum evaporator coils.

Text Codes:

AR - As Required

NA - Not Available

NS - Not Shown

00000000 - See Note

QTY - Quantity Example (QTY 3) (If Quantity not shown, Quantity = 1)

M - Model Example (M1) (If M Code not shown, then part is used on all Models)

Expanded Model Nomenclature:

Example M1 - Model#1 M2 - Model#2 M3 - Model#3

Goodman Manufacturing Company, L.P. is not responsible for personal injury or property damage resulting from improper service. Review all service information before beginning repairs.

Warranty service must be performed by an authorized technician, using authorized factory parts. If service is required after the warranty expires, Goodman Manufacturing Company, L.P. also recommends contacting an authorized technician and using authorized factory parts.

Goodman Manufacturing Company, L.P. reserves the right to discontinue, or change at any time, specifications or designs without notice or without incurring obligations.

For assistance within the U.S.A. contact:
Consumer Affairs Department
Goodman Manufacturing Company, L.P.
7401 Security Way
Houston, Texas 77040
877-254-4729-Telephone
713-863-2382-Facsimile

For assistance outside the U.S.A. contact:
International Division
Goodman Manufacturing Company, L.P.
7401 Security Way
Houston, Texas 77040
713-861-2500-Telephone
713-863-2382-Facsimile

Functional Parts

Part

No: Description:

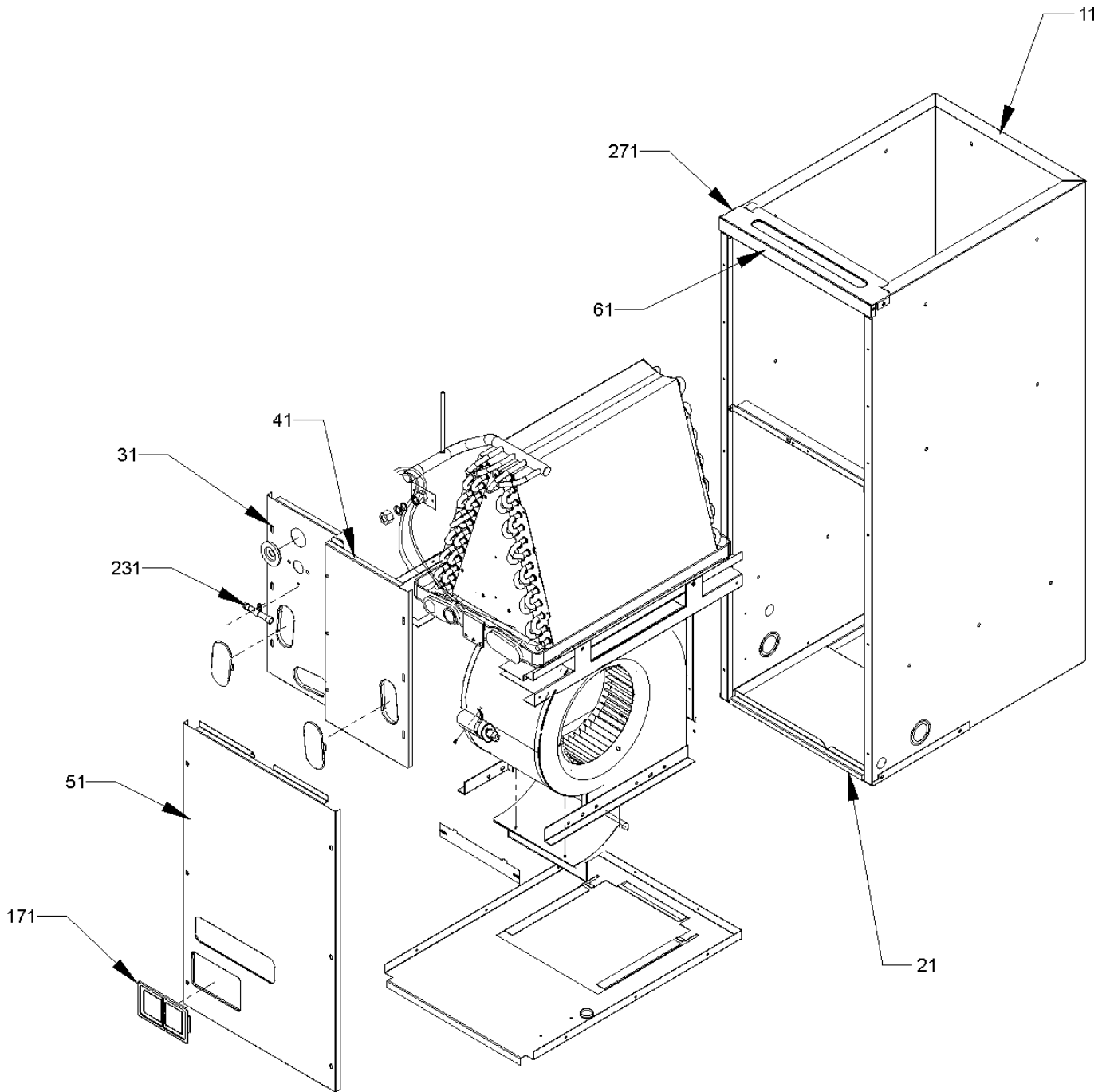
SPECIAL PARTS

B13400502	BLOWER MOTOR 1/4 HP, 50 HZ (M3, M4, M5, M6, M7)
B13400501	BLOWER MOTOR 1/8 HP, 50 HZ (M1, M2)
B13400504	BLOWER MOTOR 3/4 HP, 50 HZ (M8, M9, M10)
0150M00035	BLOWER WHEEL 10 X 10 (M6, M7, M8, M9, M10)
B1368042	BLOWER WHEEL 9 X 6 (M1, M2)
B1368036	BLOWER WHEEL 9 X 8 (M3, M4, M5)
CAP150000370LA	CAP, 15 MFD/370V/OVAL (M8, M9, M10)
CAP050000370LA	CAP, 5 MFD/370V/OVAL (M1, M2)
CAP075000370LA	CAP, 7.5 MFD/370V/OVAL (M3, M4, M5, M6, M7)
0130R00047	CE TRANSFORMER
PCBFM103	PCB, TIME DELAY, EBTDR

Expanded Model Nomenclature

M1 - A24-00-2RB
M2 - A24-00-2RC
M3 - A36-00-2RAA
M4 - A36-00-2RB
M5 - A36-00-2RC
M6 - A48-00-2RB
M7 - A48-00-2RC
M8 - A60-00-2RAA
M9 - A60-00-2RB
M10 - A60-00-2RC

Cabinet



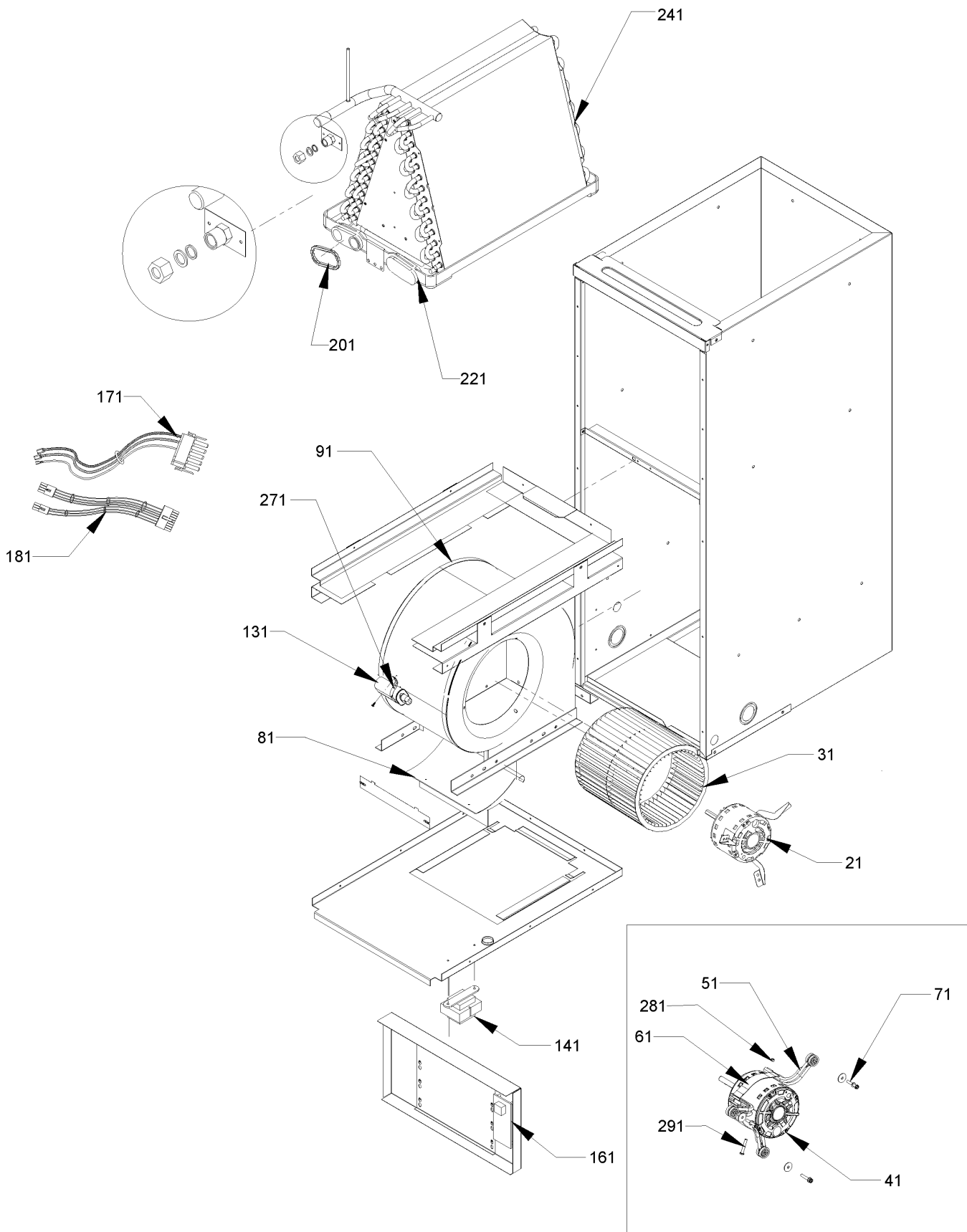
Cabinet

Ref. Part No:	No:	Description:	Ref. Part No:	No:	Description:
<i>Image 1:</i>					
11	1721123	WRAPPER ASSY LRG (M6, M7, M9, M10)			
11	1721122	WRAPPER ASSY MED (M4, M5)			
11	1721121	WRAPPER, SMALL (AR) (M1, M2)			
21	0121A00033	PLATE, UPPER TIE (M3, M4, M5)			
21	0121A00035	PLATE, UPPER TIE (M6, M7, M8, M9, M10)			
21	1721931PDG	UPPER TIE PLATE (M1, M2)			
31	1722077PDG	LOWER ACCESS PANEL (M1, M2, M3, M4, M5)			
31	1722078PDG	LOWER ACCESS PANEL (M6, M7, M8, M9, M10)			
41	1722079PDG	LOWER SERVICE PANEL (M1, M2)			
41	1722080PDG	LOWER SERVICE PANEL (M3, M4, M5)			
41	1722081PDG	LOWER SERVICE PANEL (M6, M7, M8, M9, M10)			
51	1722082PDG	UPPER ACCESS PANEL (M1, M2)			
51	1722083PDG	UPPER ACCESS PANEL (M3, M4, M5)			
51	1722084PDG	UPPER ACCESS PANEL (M6, M7, M8, M9, M10)			
61	1722085PDG	FILTER COVER (M1, M2)			
171	0161A00034	PLASTIC CIRCUIT BREAKER INSERT			
231	BT1369063	90 DEGREE STUB (M2, M5, M7, M10)			
271	1721921	BOTTOM BRACKET, LARGE (AR) (M6, M7, M8, M9, M10)			
271	1721920	BOTTOM BRACKET, MEDIUM (AR) (M3, M4, M5)			
271	1721919	BOTTOM BRACKET, SMALL (AR) (M1, M2)			
NS	1721918	BOTTOM TIE LRG (M6, M7, M8, M9, M10)			
NS	1721917	BOTTOM TIE MED (M3, M4, M5)			
NS	1721916	BOTTOM TIE PLATE SML (M1, M2)			

Expanded Model Nomenclature

M1 - A24-00-2RB
M2 - A24-00-2RC
M3 - A36-00-2RAA
M4 - A36-00-2RB
M5 - A36-00-2RC
M6 - A48-00-2RB
M7 - A48-00-2RC
M8 - A60-00-2RAA
M9 - A60-00-2RB
M10 - A60-00-2RC

Internal Components



Internal Components

Ref. Part No:	No:	Description:	Ref. Part No:	No:	Description:										
<i>Image 1:</i>			<i>Image 1:</i>												
21	B13400502	BLOWER MOTOR 1/4 HP, 50 HZ (M3, M4, M5, M6, M7)	NS	B1787000	VALVE CORE (M2, M7)										
21	B13400501	BLOWER MOTOR 1/8 HP, 50 HZ (M1, M2)	Expanded Model Nomenclature												
21	B13400504	BLOWER MOTOR 3/4 HP, 50 HZ (M8, M9, M10)	<table border="1"> <tr><td>M1 - A24-00-2RB</td></tr> <tr><td>M2 - A24-00-2RC</td></tr> <tr><td>M3 - A36-00-2RAA</td></tr> <tr><td>M4 - A36-00-2RB</td></tr> <tr><td>M5 - A36-00-2RC</td></tr> <tr><td>M6 - A48-00-2RB</td></tr> <tr><td>M7 - A48-00-2RC</td></tr> <tr><td>M8 - A60-00-2RAA</td></tr> <tr><td>M9 - A60-00-2RB</td></tr> <tr><td>M10 - A60-00-2RC</td></tr> </table>			M1 - A24-00-2RB	M2 - A24-00-2RC	M3 - A36-00-2RAA	M4 - A36-00-2RB	M5 - A36-00-2RC	M6 - A48-00-2RB	M7 - A48-00-2RC	M8 - A60-00-2RAA	M9 - A60-00-2RB	M10 - A60-00-2RC
M1 - A24-00-2RB															
M2 - A24-00-2RC															
M3 - A36-00-2RAA															
M4 - A36-00-2RB															
M5 - A36-00-2RC															
M6 - A48-00-2RB															
M7 - A48-00-2RC															
M8 - A60-00-2RAA															
M9 - A60-00-2RB															
M10 - A60-00-2RC															
31	0150M00035	BLOWER WHEEL 10 X 10 (M6, M7, M8, M9, M10)													
31	B1368042	BLOWER WHEEL 9 X 6 (M1, M2)													
31	B1368036	BLOWER WHEEL 9 X 8 (M3, M4, M5)													
51	B1376857	MOTOR MOUNT ARM (M8, M9, M10)													
61	0121M00038	MOTOR MOUNT BAND (M8, M9, M10)													
71	B1393322	MACHINE SCREW HWH 1/4-20 X 1-1/2 BZ (M8)													
71	B1393309	MACHINE SCREW, 1/4-20 TPI X 3/4" LG (M1, M2, M3, M4, M5)													
71	B1393331	MACHINE SCREW, 1/4-20 TYPE F SLOTTED (M6, M7)													
71	M0250565	TC SCREW 1.25" (M9, M10)													
81	764741F	BLOWER BLOCK-OFF 10 X 10 (M6, M7, M8, M9, M10)													
81	C6121810	BLOWER CUT-OFF (M3, M4, M5)													
81	764733F	BLOWER CUT-OFF 9 X 6 (M1, M2)													
91	0271A00016	BLOWER HOUSING ASSY 10 X 10 (M6, M7, M8, M9, M10)													
91	1439389	BLOWER HOUSING ASSY 9 X 6 (M1, M2)													
91	1839304	BLOWER HOUSING ASSY 9 X 8 (M3, M4, M5)													
131	CAP150000370LA	CAP, 15 MFD/370V/OVAL (M8, M9, M10)													
131	CAP050000370LA	CAP, 5 MFD/370V/OVAL (M1, M2)													
131	CAP075000370LA	CAP, 7.5 MFD/370V/OVAL (M3, M4, M5, M6, M7)													
141	0130R00047	CE TRANSFORMER													
161	PCBFM103	PCB, TIME DELAY, EBTRD													
171	0259A00001P	WIRE ASSY, 9-PIN FEMALE CONNECTOR (M1, M2)													
171	0259A00005P	WIRE ASSY, 9-PIN FEMALE CONNECTOR (M3, M4, M5, M6, M7, M8, M9, M10)													
181	0259A00003P	WIRE ASSY, 9-PIN MALE CONNECTOR													
201	0154A00000BL	DRAIN PAN GASKET (QTY 2)													
221	B1756013L	PLASTIC DRAIN PAN (VERTICAL) (M1, M2)													
221	B1756017L	PLASTIC DRAIN PAN (VERTICAL) (M5)													
221	B1756020L	PLASTIC DRAIN PAN (VERTICAL) (M7, M10)													
241	1585518-AR36	COIL PAN ASM. (AR36-2) (M3)													
241	1585521-AR60	COIL PAN ASM. (AR60-2) (M8)													
241	0202A00030	COIL PAN ASSY (M4)													
241	0270A00412	COIL PAN ASSY (M7)													
241	0270A00423	COIL PAN ASSY (M2)													
241	0270A00642	COIL PAN ASSY (M5)													
241	0270A00643	COIL PAN ASSY (M10)													
241	1262401	COIL PAN ASSY (M1)													
241	1262405	COIL PAN ASSY (M9)													
241	1262405	COIL PAN ASSY (M6)													
271	1284835	CAPACITOR STRAP													
281	B1393800	LOCKNUT, NYLON, INSERT 1/4, 20 (M8, M9, M10)													
291	B1393323	MACHINE SCREW HWH 1/4-20 X 1-1/2 BZ (M8, M9, M10)													
NS	0163M00175	CAP W/O-RING (M2, M5, M7, M10)													
NS	B1392630	GROMMET													
NS	B1392143	GROMMET, 26TAL F/TORSIN FLEX (M3)													
NS	B1392640	PLASTIC DRAIN COVER													
NS	B1756021L	PLASTIC DRAIN PAN (HORIZONTAL) (M1, M2)													
NS	B1756022L	PLASTIC DRAIN PAN (HORIZONTAL) (M3, M4, M5)													
NS	B1756028L	PLASTIC DRAIN PAN (HORIZONTAL) (M6, M7, M8, M9, M10)													